

Dimensions:
6.25" x 3.125" x 12.531"
Scale: 100%



Endectocide

DIRECTIONS FOR USE

READ ENCLOSED LEAFLET BEFORE USING THIS PRODUCT.

DOSE: 1 mL per 10 kg bodyweight applied along the backline of the animal.

| Weight (kg) | Dose (mL) | Treatments per 1 L pack | Weight (kg) | Dose (mL) | Treatments per 1 L pack |
|-------------|-----------|-------------------------|-------------|-----------|-------------------------|
| 40-50 | 5 | 200 | 301-350 | 35 | 28 |
| 51-75 | 7.5 | 133 | 351-400 | 40 | 25 |
| 76-100 | 10 | 100 | 401-450 | 45 | 22 |
| 101-150 | 15 | 66 | 451-500 | 50 | 20 |
| 151-200 | 20 | 50 | 501-550 | 55 | 18 |
| 201-250 | 25 | 40 | 551-600 | 60 | 16 |
| 251-300 | 30 | 33 | 601-650 | 65 | 15 |

Cattle whose weight is in excess of 650 kg should be dosed at 1 mL per 10 kg bodyweight. Treatment of very young animals (less than 40 kg bodyweight) is generally not warranted. For external use only.

PRECAUTIONS: For best results, do not treat cattle when their hide or hair is wet. Do not apply to areas of skin which are contaminated with mud or manure.

Worm parasites may develop resistance to any anthelmintic. If this is suspected please contact your local veterinary practitioner or advise the manufacturer.

NOT TO BE USED FOR ANY PURPOSE OR IN ANY MANNER CONTRARY TO THIS LABEL UNLESS AUTHORISED UNDER APPROPRIATE LEGISLATION.

WITHHOLDING PERIODS:

MEAT- DO NOT USE less than 42 days before slaughter for human consumption.

MILK- NIL

Export Slaughter Interval: Do not slaughter cattle for export within 42 days of treatment. Store below 30°C (Room Temperature). Protect from direct sunlight.

APVMA Approval Number: 49665/1L/0507

Made in USA
Pfizer Animal Health
A division of Pfizer Australia Pty Ltd.
28-42 Wharf Road, West Ryde NSW 2114
*Pfizer Trademark
CN3176



805 310 000

DECTOMAX

DECTOMAX



POISON
KEEP OUT OF REACH OF CHILDREN
READ SAFETY DIRECTIONS BEFORE OPENING OR USING
FOR ANIMAL TREATMENT ONLY



Endectocide

5 mg/mL DORAMECTIN

For the treatment and control of doramectin sensitive internal and external parasites of cattle.

1 Litre



7893051

SAFETY DIRECTIONS:
Poisonous if swallowed. Will irritate the eyes and skin. Avoid contact with skin and eyes. When using the product wear face shield or goggles. If product in eyes, wash it out immediately with water. Wash hands after use. After each day's use wash face shield or goggles. Use only in well ventilated surroundings.
Flammable—Keep away from heat, sparks, open flame and other sources of ignition.

FIRST AID:
If poisoning occurs, contact a doctor or Poisons Information Centre. Phone 131126. If skin contact occurs, remove contaminated clothing and wash skin thoroughly.

Additional information is listed in the Material Safety Data Sheet.

PROTECTION OF FISH, CRUSTACEANS AND THE ENVIRONMENT

Doramectin is extremely toxic to aquatic species.

Do not contaminate dams, rivers, streams or other waterways with the chemical or used container.

When used according to label instructions, Dectomax Pour-On Endectocide is not likely to have an unintended effect that is harmful to the environment or have an overall adverse impact on dung beetle populations. Increased mortality and impaired development of larvae may be expected, but for a limited period after treatment.

UN 1993

Packing Group II
FLAMMABLE LIQUID N.O.S.
(contains Isopropanol 631 g/L)



Disposal: Triple or (preferably) pressure rinse the container. Dispose of Dectomax Pour-On Endectocide in a disposal pit specifically marked and set up for this purpose clear of waterways, vegetation and roots. Do not dispose of undiluted chemicals on-site. Break, crush, or puncture and bury empty containers in a local authority landfill. If not available, bury the containers below 500 mm in a disposal pit specifically marked and set up for this purpose clear of waterways, vegetation and roots. Empty containers and product should not be burnt.

BATCH EXPIRY





DIRECTIONS FOR USE
READ ENCLOSED LEAFLET BEFORE USING THIS PRODUCT.

DOSE: 1 mL per 10 kg bodyweight applied along the backline of the animal.

NOT TO BE USED FOR ANY PURPOSE OR IN ANY MANNER CONTRARY TO THIS LABEL UNLESS AUTHORISED UNDER APPROPRIATE LEGISLATION.

WITHHOLDING PERIODS:

MEAT – DO NOT USE less than 42 days before slaughter for human consumption.

MILK – NIL

Export Slaughter Interval: Do not slaughter cattle for export within 42 days of treatment.

SAFETY DIRECTIONS:

Poisonous if swallowed. Will irritate the eyes and skin. Avoid contact with skin and eyes. When using the product wear face shield or goggles. If product in eyes, wash it out immediately with water. Wash hands after use. After each day's use wash face shield or goggles. Use only in well ventilated surroundings.

Flammable—Keep away from heat, sparks, open flame and other sources of ignition.

FIRST AID:

If poisoning occurs, contact a doctor or Poisons Information Centre. *Phone 131126.* If skin contact occurs, remove contaminated clothing and wash skin thoroughly.

Additional information is listed in the Material Safety Data Sheet

PROTECTION OF FISH, CRUSTACEANS AND THE ENVIRONMENT

Doramectin is extremely toxic to aquatic species. Do not contaminate dams, rivers, streams or other waterways with the chemical or used container.

When used according to label instructions, Dectomax Pour-On is not likely to have an unintended effect that is harmful to the environment or have an overall adverse impact on dung beetle populations. Increased mortality and impaired development of larvae may be expected, but for a limited period after treatment.

POISON

**KEEP OUT OF REACH OF CHILDREN
READ SAFETY DIRECTIONS BEFORE OPENING OR USING
FOR ANIMAL TREATMENT ONLY**



DECTOMAX^{*}

POUR-ON

Endectocide

5 mg/mL DORAMECTIN

For the treatment and control of doramectin sensitive internal and external parasites of cattle.

1 Litre



Disposal: Triple or (preferably) pressure rinse the container. Dispose of Dectomax Pour-On Endectocide in a disposal pit specifically marked and set up for this purpose clear of waterways, vegetation and roots. Do not dispose of undiluted chemicals on-site. Break, crush, or puncture and bury empty containers in a local authority landfill. If not available, bury the containers below 500 mm in a disposal pit specifically marked and set up for this purpose clear of waterways, vegetation and roots. Empty containers and product should not be burnt.

UN 1993
Packing Group II
FLAMMABLE LIQUID N.O.S.
(contains Isopropanol 631g/L)



In transport emergency contact:
1 800 024 973

APVMA Approval Number: 49665/1L/0507
Store below 30°C (Room Temperature).
Protect from direct sunlight.

Made in USA
Pfizer Animal Health
A division of Pfizer Australia Pty Ltd.
38-42 Wharf Road, West Ryde NSW 2114
*Pfizer Trademark
LA3178

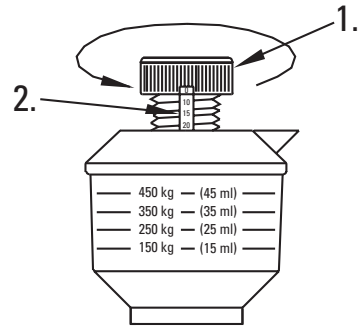
BATCH
EXPIRY

7893051

805 312 000

Dimensions:
5.0" x 8.25"
Scale size: 100%

Dimensions:
2 1/4" x 2 1/4" x 9 3/4"
Scale: 100%



DOSING-CUP

A. Rotate the cup on the bottle neck until tight (so the spout is aligned at the mid point on the wide side of the bottle). The curved end of the dosing cup tube should be positioned at the bottom of the bottle on the side opposite the spout. When the dosing cup is in the closed position ("zero" at set dosage mark on screw), product does not enter the cup reservoir.

B. Select the dose:

→ Twist the dosing screw ① to the desired position, so that the correct number of ml is shown at the set dose mark (⊕ DOSAGE (ml) ↑)

→ The first complete turn of the dosing screw will set the dose at 10 ml (i.e. 100 kg body weight) : "10" shows on the screw at set dose mark ⊕. Each additional turn increases the dose in 5 ml increments (i.e. 50 kg body weight) up to 50 ml. When body weight is between weight markings on the dosing cup use the higher dose volume.

C. Overfill the dosing cup by squeezing the bottle, until the level of liquid goes over the selected dose, then release the pressure. The liquid will automatically come down to the selected dose.

D. Pour the product along the back of the animal.

992
10-5272-00-3



POISON
KEEP OUT OF REACH OF CHILDREN
READ SAFETY DIRECTIONS BEFORE
OPENING OR USING
FOR ANIMAL TREATMENT ONLY



Endectocide

5 mg/mL DORAMECTIN

Dectomax Pour-On Endectocide is a ready-to-use, pale blue solution containing doramectin 5 mg/mL. It is formulated to deliver the recommended dosage of 500 µg/kg bodyweight when given by topical administration at the rate of 1 mL/10 kg bodyweight.

PRODUCT CHARACTERISTICS

Dectomax Pour-On Endectocide is a highly active broad spectrum parasiticide for topical administration to cattle. It contains doramectin, a member of the macrocyclic lactone family of chemicals. Doramectin is isolated from fermentation of selected strains derived from the soil organism *Streptomyces avermitilis*.

The primary mode of action of doramectin is to modulate chloride ion channel activity in the nervous system of nematodes and arthropods.

Doramectin binds to receptors that increase membrane permeability to chloride ions, inhibiting the electrical activity of nerve cells in nematodes and muscle cells in arthropods, causing paralysis and death of the parasites. In mammals the neuronal receptors to which doramectin binds are localised within the central nervous system (CNS), a site reached by only negligible concentrations of doramectin.

Broad-spectrum: a single treatment with Dectomax Pour-On Endectocide effectively treats and controls a wide range of internal parasites (roundworms) and external parasites (arthropods) that impair the health and productivity of cattle.

Persistent-action: the persistent drug concentrations that result from the product's unique pharmacokinetics enable it to protect cattle against parasite infection and reinfection for extended periods following treatment.

Safety: Dectomax Pour-On Endectocide has a wide margin of safety in all classes of cattle.

Its broad spectrum of activity, favourable pharmacokinetics and exceptional toleration make it an ideal product for application as an antiparasitic for cattle.

Rainfast: the efficacy of Dectomax Pour-On Endectocide is not adversely affected if applied when the hide is wet or if rain falls shortly after treatment. However, treatment of animals with wet hides or when rain threatens should be avoided as it is not good agricultural practice.

INDICATIONS

Dectomax Pour-On Endectocide is for the treatment and persistent control of gastrointestinal roundworms, lungworms and buffalo fly in cattle. Control of eye worms, sucking and biting lice, mange mites and cattle ticks.

Dectomax Pour-On Endectocide is highly effective in the treatment and control of the following species:

Gastrointestinal roundworms (adults and fourth stage larvae)

- Ostertagia ostertagi*¹ - Small brown stomach worm
- Haemonchus placei* - Barber's pole worm
- Trichostrongylus axei* - Stomach hair worm
- T. colubriformis* - Black scour worm
- Cooperia* spp.¹ - Small intestinal worm
- Cooperia oncophora*¹
- Bunostomum phlebotomum* - Hook worm²
- Oesophagostomum radiatum* - Nodule worm
- Nematodirus spathiger* - Thin necked intestinal worm²
- Thelazia* spp. - Eye worm²
- Trichuris* spp. - Whipworm

¹including inhibited larvae

²adults only

Adult and immature Lungworm

Dictyoaulus viviparus

Sucking Lice

Linognathus vituli, *Haematopinus eurysternus*, *Solenopotes capillatus*

Biting Lice

Bovicola bovis

Buffalo Fly

Haematobia irritans exigua.

Cattle Tick³

Boophilus microplus

Mange Mites

Chorioptes bovis, *Sarcoptes scabiei* var. *bovis*

³ Engorged female ticks that drop off for up to 3 days after treatment may lay viable eggs.

Persistent protection

Extensive studies have also demonstrated the following levels of persistent protection against reinfection from important worm species.

| Species | Period of protection following treatment |
|---------------------------------|--|
| <i>Ostertagia ostertagi</i> | Up to 35 days |
| <i>Haemonchus placei</i> | Up to 35 days |
| <i>Trichostrongylus axei</i> | Up to 35 days |
| <i>Cooperia</i> spp. | Up to 35 days |
| <i>Cooperia oncophora</i> | Up to 21 days |
| <i>Dictyoaulus viviparus</i> | Up to 28 days |
| <i>Oesophagostomum radiatum</i> | Up to 21 days |
| <i>Bunostomum phlebotomum</i> | Up to 21 days |

Dectomax Pour-On Endectocide controls buffalo flies (*Haematobia irritans exigua*) for up to 14 days after treatment.

To obtain optimal benefit from the persistent-action of Dectomax Pour-On Endectocide against internal parasites, it is recommended that cattle which are set-stocked should be treated twice at eight week intervals.

Used in this way Dectomax Pour-On Endectocide will reduce the build-up of infective larvae on pasture and protect such animals from parasitic gastro-enteritis and parasitic bronchitis by reducing pasture larval challenge.

DIRECTIONS FOR USE

Animals must not be repeat treated within 56 days (8 weeks) of a previous treatment.

DOSE: 1 mL of solution / 10 kg bodyweight.

Apply topically along the mid-line of the back in a narrow strip between the withers and tailhead. For external use only.

Use the dose rate, according to the weight of the animal, given in the tables below. The dose rate should be based on the heaviest member in the weight range (given under the heading "weight (kg)"). Cattle should be weighed with either scales or a weighband.

DOSE RATE: 1 mL per 10 kg bodyweight

| Weight (kg) | Dose (mL) |
|-------------|-----------|
| 40-50 | 5 |
| 51-75 | 7.5 |
| 76-100 | 10 |
| 101-150 | 15 |
| 151-200 | 20 |
| 201-250 | 25 |
| 251-300 | 30 |
| 301-350 | 35 |
| 351-400 | 40 |
| 401-450 | 45 |
| 451-500 | 50 |
| 501-550 | 55 |
| 551-600 | 60 |
| 601-650 | 65 |

Cattle whose weight is in excess of 650 kg should be dosed at 1 mL per 10 kg bodyweight.

Treatment of very young animals (less than 40 kg bodyweight) is generally not warranted.

Worm parasites may develop resistance to any anthelmintic. If this is suspected please contact your local veterinary practitioner or advise the manufacturer.

ADMINISTRATION

Using the pour-on applicator

Attach the open end of the draw-off tubing to the pour-on applicator. Attach draw-off tubing to the draw-off cap stem. Replace shipping cap with the draw-off cap and tighten the draw-off cap. Invert the backpack. Gently prime the applicator whilst checking for leaks. Follow manufacturer's directions for correct use and care of equipment.

The Dectomax Pour-On applicator is recommended for use with this product. Some applicators may not be suitable for use with this formulation. If unsure, check with the manufacturer, or your supplier.

Directions for 22 litre container

Attach internal tube to internal tube barb on draw-off cap provided.

Remove shipping cap from container and replace with draw-off cap.

Place the external draw-up hose onto the external hose barb, positioned on the outside (top) of the draw-off cap. Screw the anti-kink spring over the hose and hose barb.

Attach the other end of the hose to the hose barb on the pour-on applicator. Screw the anti-kink spring over the hose and gun's hose barb.

Set the applicator to the maximum dose. Prime the applicator. Check for leaks, or any air bubbles entering the hose. Place the nozzle of the applicator into a clean, dry receptacle and depress finger grip, pump these grips until the cylinder is full of product and the air is removed. A small bubble may appear in the cylinder. This will not affect dosing accuracy.

Select the desired dose and administer product. To disconnect the system, proceed as follows:

- a) Carefully unscrew the breather cap from the container. Lift the internal draw tube until it is clear of Dectomax Pour-On in the 22-L container.
- b) Place the nozzle of the gun back into the 22-L container and squeeze the finger grips until all product is removed from the tube and applicator.
- c) Replace original shipping cap onto the 22-L container.

Follow manufacturer's recommendation for care and storage of the dosing applicator.

Using the dosing cup (1 litre)

Refer to instructions on the inner carton.

GENERAL DIRECTIONS

For best results, do not treat cattle when their hide or hair is wet.

Do not apply to areas of skin which are contaminated with mud or manure.

NOT TO BE USED FOR ANY PURPOSE OR IN ANY MANNER CONTRARY TO THIS LABEL UNLESS AUTHORISED UNDER APPROPRIATE LEGISLATION.

WITHHOLDING PERIODS:

MEAT – DO NOT USE less than 42 days before slaughter for human consumption.

MILK – NIL

Export Slaughter Interval: Do not slaughter cattle for export within 42 days of treatment.

SAFETY DIRECTIONS:

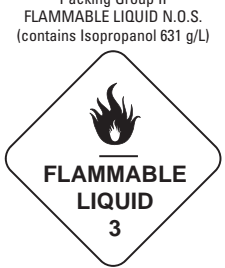
Poisonous if swallowed. Will irritate the eyes and skin. Avoid contact with skin and eyes. When using the product wear face shield or goggles. If product in eyes, wash it out immediately with water. Wash hands after use. After each day's use wash face shield or goggles. Use only in well ventilated surroundings.

Flammable—Keep away from heat, sparks, open flame and other sources of ignition.

FIRST AID:

If poisoning occurs, contact a doctor or Poisons Information Centre. *Phone 131126*. If skin contact occurs, remove contaminated clothing and wash skin thoroughly.

Additional information is listed in the Material Safety Data Sheet.



PROTECTION OF FISH, CRUSTACEANS AND THE ENVIRONMENT

Doramectin is extremely toxic to aquatic species. Do not contaminate dams, rivers, streams or other waterways with the chemical or used container.

When used according to label instructions, Dectomax Pour-On is not likely to have an unintended effect that is harmful to the environment or have an overall adverse impact on dung beetle populations. Increased mortality and impaired development of larvae may be expected, but for a limited period after treatment.

Disposal: Triple or (preferably) pressure rinse the container. Dispose of Dectomax Pour-On Endectocide in a disposal pit specifically marked and set up for this purpose clear of waterways, vegetation and roots. Do not dispose of undiluted chemicals on-site.

Break, crush, or puncture and bury empty containers in a local authority landfill. If not available, bury the containers below 500 mm in a disposal pit specifically marked and set up for this purpose clear of waterways, vegetation and roots. Empty containers and product should not be burnt.

APVMA Approval Number: 49665/0507

Storage: Store below 30°C (Room Temperature). Protect from direct sunlight.

Packaging Information: Dectomax Pour-On Endectocide is available in 1, 2.5, 5 and 22 litre multi-dose backpacks.

TREATMENTS PER PACK

As a quick reference, treatments per pack are tabled below.

| ANIMAL WEIGHT (kg) | TREATMENTS PER PACK | | | |
|--------------------|---------------------|-------|------|------|
| | 1 L | 2.5 L | 5 L | 22 L |
| 50 | 200 | 500 | 1000 | 4400 |
| 75 | 133 | 333 | 666 | 2933 |
| 100 | 100 | 250 | 500 | 2200 |
| 150 | 66 | 166 | 333 | 1466 |
| 200 | 50 | 125 | 250 | 1100 |
| 250 | 40 | 100 | 200 | 880 |
| 300 | 33 | 83 | 166 | 733 |
| 350 | 28 | 71 | 142 | 628 |
| 400 | 25 | 62 | 125 | 550 |
| 450 | 22 | 55 | 111 | 488 |
| 500 | 20 | 50 | 100 | 440 |
| 550 | 18 | 45 | 90 | 400 |
| 600 | 16 | 41 | 83 | 366 |
| 650 | 15 | 38 | 76 | 338 |

Made in USA
Pfizer Animal Health
 A division of Pfizer Australia Pty Ltd.
 38-42 Wharf Road, West Ryde NSW 2114
 *Pfizer Trademark
 PM71805

830 683 001

Dimensions:
 2" x 20"