

# Ezi-action® DRUMPUMP

This Ezi-action® Drumpump has been designed to pump a wide range of liquid products and chemicals.

## Only 2 Working Parts

The range of Ezi-action® Drumpumps are patented pistonless direct lift pumps. There is almost no mechanism to fail, jam or wear out. The Ezi-action® Drumpump has only 2 working parts in the form of 2 Flap Valves which do not take any excess load or pressure.

## Installation

Ezi-action® Attachment Fittings are available for drum and container openings from around the world.

### Installing the Ezi-action® 25/5 or 60/15 Drumpump into a container using an Ezi-action® C fitting:

1. Unscrew the cap from the container and check that the threads on the container cap and the Cap Attachment (17) are the same. (Other threads are available.)
2. Pull the Cap Attachment (17), the O-ring (18) and the cap locking ring (19) all the way up the Pump Body and place the pump into the container until the Ezi-action® Drumpump comes to rest on the bottom of the container.
3. Ease the Ezi-action® Cap Attachment fitting (21) down the Ezi-action® Drumpump Body, face the outlet nozzle in the desired direction and tighten onto the container cap thread.
4. It may be necessary to loosen the Ezi-action® Cap Attachment fitting (21) from time to time to let air into the container.

### Installing the Ezi-action® 60/15, 200/55 Drumpump or 1000/220 (IBC) Pump into a container using an Ezi-action® M fitting:

1. Remove the threaded bung from the drum or the centre cap of the IBC and check that the threads on the drum cap and the Ezi-action® drum attachment fitting (22) are the same (other threads are available).
2. Screw the Ezi-action® Cap Attachment fitting (22) into the drum/IBC opening by hand.
3. Insert the shaft of the Ezi-action® Drumpump into the drum/IBC through the Ezi-action® drum attachment fitting (22) until the Ezi-action® Drumpump comes to rest on the bottom of the drum/IBC.
4. Turn the Ezi-action® Drumpump to the position that you wish it to face and screw the drum attachment cap (15) to the Ezi-action® drum attachment (16) until tight.

## SERVICING

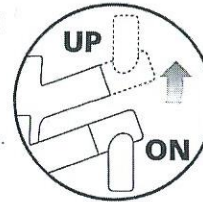
Ezi-action® Drumpumps are fully serviceable. Should servicing be required contact your supplier for an Ezi-action® Seal Pack or Service Kit

## Using the Ezi-action® Drumpump

For best results your pumping method will need to vary as to the quantity of fluid required and the viscosity of the liquid being pumped.

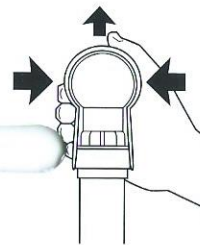
It is not necessary to use the full stroke length of the Plunger to make the pump operate efficiently. With more viscous liquids slower steadier strokes are best. If you require an exact quantity of liquid it is best to use shorter strokes as you near the quantity of liquid required.

The Outlet Nozzle (11) swivels and can be turned up to prevent any dripping, especially when pumping viscous liquids. NEVER USE THE PUMP when the Outlet nozzle is pointing up.



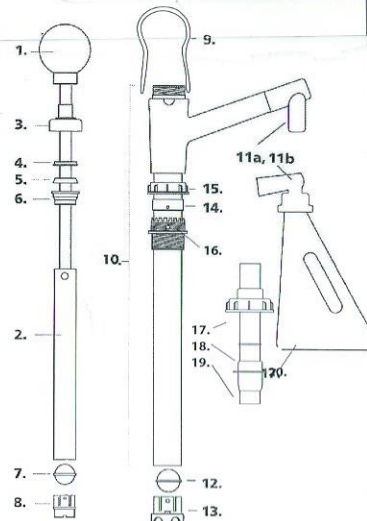
## Unlocking the Safety Strap

The purpose of the Safety Strap is to reduce the risk of children and unwanted persons from using the pump. The manufacturer does not warrant the effectiveness of the Safety Strap, or its locking mechanism in any way. (See warnings and Warranties on the header card).



To release the Safety Strap place a hand across the breadth of the Safety Strap and squeeze. This action will raise the locking spigot and allow the Safety Strap to fold down. Always replace the Safety Strap after using the pump.

## PARTS BREAKDOWN



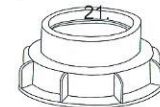
- |                                    |                                       |
|------------------------------------|---------------------------------------|
| 1. Ball Handle                     | Ezi-action® Cap Attachment Fittings   |
| 2. Plunger                         | C55                                   |
| 3. Pumphead Cap                    | C57                                   |
| 4. Pumphead Scraper Seal           | C63Int                                |
| 5. Pumphead Seal                   | C63NZ                                 |
| 6. Pumphead Seal Holder            | C65                                   |
| 7. Plunger Valve Flap              | C69NZ                                 |
| 8. Plunger Valve Holder            | C69 USA                               |
| 9. Safety Strap                    | Aust Metal                            |
| 10. Pump Body                      | Engl Metal                            |
| 11a. Straight Spout Outlet Nozzle  | PSA                                   |
| 11b. Safety Measure Outlet Nozzle* | Ezi-action® Drum Attachment Fittings: |
| 12. Foot Valve Flap                | MBSP                                  |
| 13. Foot Valve Holder              | M55                                   |
| 14. Drum Attachment Seal           | MR                                    |
| 15. Drum Attachment Cap            | M63                                   |
| 16. Drum Attachment                | M63B                                  |
| 17. Cap Attachment                 | M69                                   |
| 18. O-Ring                         | M63R                                  |
| 19. Cap Locking Ring               | M63R                                  |
| 20. Ezi-action® Safety Measure     | MBSP55                                |

Ezi-action® Cap Attachment Fittings

C55  
C57  
C63Int  
C63NZ  
C65  
C69NZ  
C69 USA  
Aust Metal  
Engl Metal  
PSA

Ezi-action® Drum Attachment Fittings:

MBSP  
M55  
MR  
M63  
M63B  
M69  
M63R  
MBSP55



\*Safety Measure Outlet Nozzle is designed to receive the Ezi-action® Safety Measure (optional).

KEEP THIS CARD ON FILE FOR FUTURE REFERENCE AND STAFF TRAINING